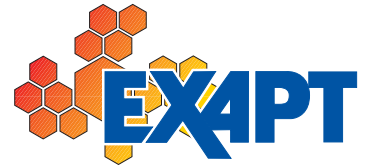


# EXAPTsolid realSimu

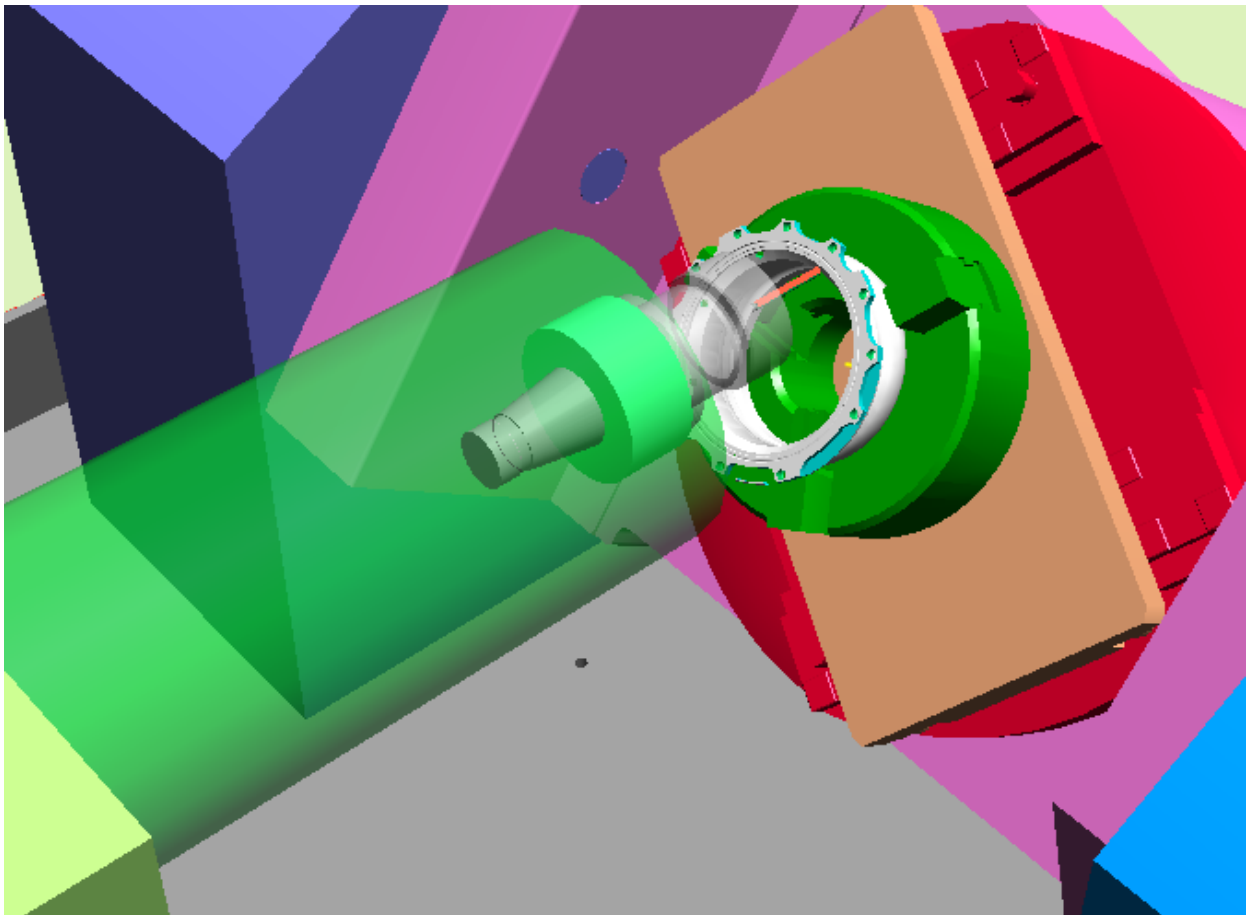


*offers reality-close simulation with material removal in combination with EXAPTsolid*

*for safer NC programming to avoid unproductive testing times or collision especially in case of complex workpieces and machine tools.*

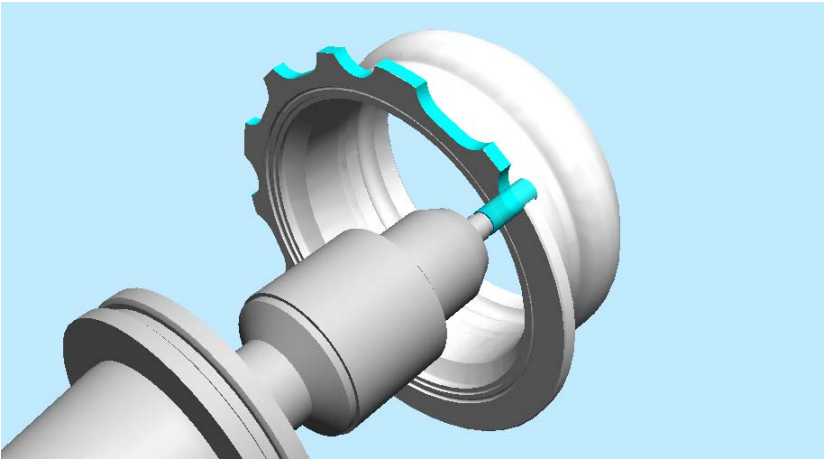
The system capabilities are:

- machine- and CNC-close simulation also with extensive collision and operating field control depending on the extension level
- inclusion of the whole process peripherals and kinematics chain tool/workpiece holder together with devices and NC-controlled machine aggregates depending on requirements and extension level
- manufacturing simulation with material removal on basis of solid models of unfinished and finished part
- illustrative simulation visualisation with user-oriented user surface

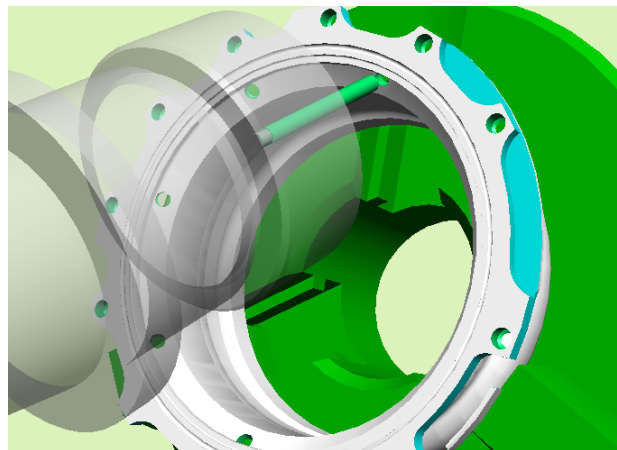


*Machining simulation with total process peripherals*

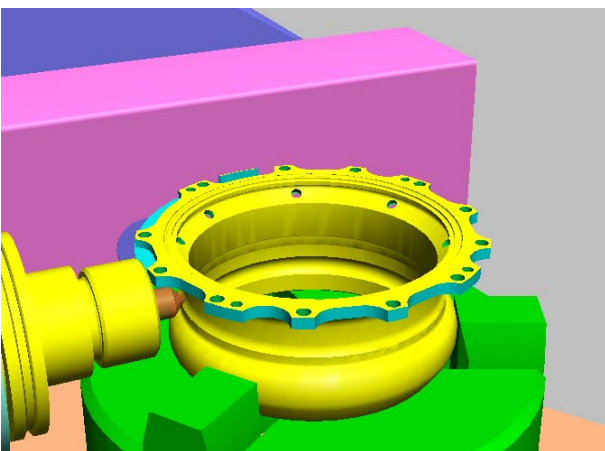
There are manifold possibilities depending on requirement and extension level



*Simulation tool operation on the workpiece with material removal*



*Simulation tool operation on the workpiece with chuck*



*Crash simulation - drill holder (yellow)  
moves against workpiece (yellow)*

EXAPTSolid realSimu is a common solution of EXAPTSolid with eM-RealNC from a co-operation of EXAPT Systemtechnik GmbH with Tecnomatix Technologies Ltd.